

NEWSPAPER RACK PARTS LIST

5-1-08



C91 SD



ST91 SD



C5 SD



C6 SD



C2003 SD



C91 SD A/S



39 TAB-PD



39 B-PD



49B
49HT

49B
49DW

49B
49T



4
DW2



ST39 TAB-PD



ST39 B-PD



39 B-TAB



39 TAB-TAB



TK-80



49

49

49DW2

100-650 BASE



ST39 B-TAB



ST39 TAB-TAB



D 45S-1



D 45D-2

M.E.R. INC.
MECHANISM EXCHANGE & REPAIR, INC.


P.O. BOX 311 - 210 E. HOCHHEIM ST.
YOAKUM, TX 77995-0311 USA
(361) 293-6452 FAX (361) 293-9175
E-MAIL: mechx@sbcglobal.net

HARDWARE - BOLTS & NUTS


PART NO.	DESCRIPTION	CODE	PART NO.	DESCRIPTION	CODE
B1	5-40 x 3/8" RH UNSLOTTED BOLT (plated)....	201	N1H	5-40 HEX NUT	233
B1A-S	5-40 x 3/8" RH UNSLOTTED BOLT (stainless)	202	N3K	6-32 KEP NUT	234
B1B-S	5-40 x 1/2" RH UNSLOTTED BOLT (stainless)	203	N3N	6-32 NYLON INSERT NUT	235
B3	6-32 x 5/16" RH BOLT	204	N20K	8-32 KEP NUT	236
B3R	6-32 x 1/2" RH BOLT	205	N5N	8-32 NYLON INSERT NUT	237
B3FH	6-32 x 1/2" FH BOLT	206	N8H	10-24 HEX NUT	238
B20	8-32 x 3/8" RH BOLT	207	N8K	10-24 KEP NUT.....	239
B6	8-32 x 1/2" RH BOLT for 49DW door pull	208	N8N	10-24 NYLON INSERT NUT	240
B22	8-32 x 2" RH BOLT	209	N10H	10-32 HEX NUT	241
CM-100-79	8-32 x 2-1/4" RH BOLT	210	N10K	10-32 KEP NUT.....	242
B9	10-24 x 1/4" RH BOLT	211	N12K	1/4" KEP NUT	243
CM-90-57	10-24 x 1/4" RH BOLT w/ #10 STAR WASHER	212	N11N	1/4" NYLON INSERT NUT	244
B66	10-24 x 1/2" RH SLOTTED BOLT	213	N60H	5/16" HEX NUT	245
B11	10-24 x 1/2" CARRIAGE BOLT (plated)	214	PR-3A	1/8" ALUMINUM POP RIVETS	246
T859	10-24 x 1/2" CARRIAGE BOLT w/ NYLON	215	PR-3S	1/8" STEEL POP RIVETS	247
	INSERT NUT (plated)		PR-4A	3/16" ALUMINUM POP RIVET.....	248
B11-S	10-24 x 1/2" CARRIAGE BOLT (stainless).....	216	PR-4Z	3/16" ZINC PLATED POP RIVET	249
B12A	10-32 x 3/8" RH SLOTTED BOLT.....	217			
B12	10-32 x 1/2" TRUSS HEAD UNSLOTTED BOLT	218	N21	NUT FOR INSTALLING NATIONAL LOCK	250
B13	1/4" x 1/2" HEX BOLT	219	SW1	LOCK WASHER FOR ATTACHING NATIONAL LOCK CAM	251
B55	1/4" x 1/2" PEM SELF CLINCH BOLT(plated) .. Used on housing hinge w/ 1/4" Kep Nut.	220	B22-A	BOLT FOR ATTACHING NATIONAL LOCK CAM (10-32 x 3/16")	252
B13-1	1/4" x 3/4" HEX BOLT	221	CAM-1	NATIONAL LOCK CAM ONLY	253
B14	1/4" x 1-1/4" RH BOLT	222	CAM-2	CHICAGO LOCK CAM ONLY	254
B30	1/4" x 1-1/2" RH BOLT	223	N80	CHICAGO LOCK NUT FOR INSTALLING CAM	255
B60	5/16" x 3/4" HEX BOLT	224	CLIP-1	CLIP FOR INSTALLING NATIONAL LOCK.....	256
B61	5/16" x 1-1/2" LEVELING BOLT	225	CLIP-2	CLIP FOR INSTALLING CHICAGO LOCK.....	257
CM-90-57-1	#8 x 1/2" TAP SCREW w/ #10 WASHER.....	226	CLB	BARREL FOR CHICAGO LOCK w/ NUT	258
CM-100-71-1	#6 EXTERNAL LOCK WASHER	227	SR-515	K - ARMORED BOLT (7/8" x 10" plated)	259
W8	#8 EXTERNAL LOCK WASHER	228	SR-715	TK - ARMORED BOLT (7/8" x 10" plated).....	260
W3	#10 STAR WASHER.....	229	T855	M4 x 8MM PAN HEAD MACHINE SCREW	261
25 SW	1/4" EXTERNAL LOCK WASHER.....	230	T856	M4 x 8MM FLAT HEAD MACHINE SCREW	262
CP1	1/8" x 1" COTTER PIN.....	231	T857	M4 x .7 KEP NUT	263
HP1	1-5/8" HAIR PIN COTTER PIN	232	T857-1	M4 x .7 NYLON INSERT NUT	264
			T 858	M4 x 10MM PAN HEAD MACHINE SCREW ...	265
				M4 STAR WASHER.....	266

"E" RINGS - RETAINER RINGS


PART NO.	DESCRIPTION	CODE
CH22	1/4" RETAINER RING for Wire Lid Stop.....	267
5115-12	RETAINER RING for Wire Lift	268
5133-09	"E" RING for 3/32" dia. shaft	269
5133-12	"E" RING for 1/8" dia. shaft	270
5133-15	"E" RING for 5/32" dia. shaft	271
5133-18	"E" RING for 3/16" dia. shaft	272
5133-25	"E" RING for 1/4" dia. shaft	273
5133-50	"E" RING for 1/2" dia. shaft	274
5131-25	BOWED "E" RING for 1/4" dia. shaft.....	275



dispensers
.09 - .12 - .15 - .18 - .25
CODE: 276



Truarc applicators
.09 - .12 - .15 - .18 - .25
CODE: 277



MECHANISM PURCHASE AND REPAIR



REGULAR EXCHANGE CHARGE
301



D/S LOCKOUT EXCHANGE CHARGE
302

REPAIR ONLY	REFURBISHED MECH PURCHASED AS A PART	NEW CLASSIC MECH PURCHASED AS A PART
-------------	--------------------------------------	--------------------------------------

REGULAR STACKER MECH WITH QUARTER GUIDE ONLY

303*	304	305
------	-----	-----

REGULAR STACKER MECH WITH QUARTER AND DIME GUIDE

306*	307	308
------	-----	-----

DAILY/SUNDAY LOCKOUT STACKER MECH WITH QUARTER GUIDE ONLY

SPECIFY: RACK MODEL - NATIONAL OR CHICAGO CAM

309	310	311
-----	-----	-----

DAILY/SUNDAY LOCKOUT STACKER MECH WITH QUARTER & DIME GUIDE

SPECIFY: RACK MODEL - NATIONAL OR CHICAGO CAM

312	313	314
-----	-----	-----

*ADD DAILY/SUNDAY LOCKOUT TO REGULAR MECH	<u>CODE</u>
<i>SPECIFY: RACK MODEL - NATIONAL OR CHICAGO CAM</i>	315
WITH NATIONAL LOCK - <i>SPECIFY NUMBER</i>	316
WITH CHICAGO LOCK - <i>SPECIFY NUMBER</i>	317
WITH PENNY REJECTOR.....	318
WITH 6 QUARTER ATTACHMENT	319
WITH DOLLAR COIN GUIDE.....	320



TOTALIZER MECH PRICING 4-1-07

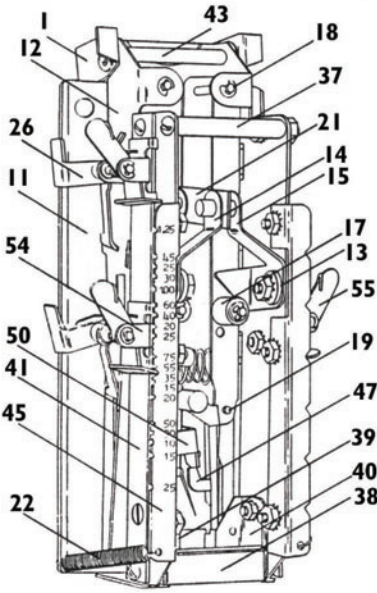


TOTALIZER BODIES AND COIN RETURN CUPS ARE POWDER COATED TO PREVENT RUST

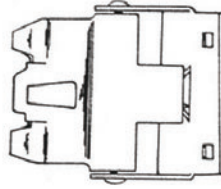


	<u>CODE</u>
REPAIR:	
STANDARD TOTALIZER MECH	321
\$3.00 WHEEL TOTALIZER MECH.....	322
PURCHASE AS A PART:	
REFURBISHED STANDARD TOTALIZER MECH	323
REFURBISHED \$3.00 TOTALIZER MECH	324
(CALL FOR TOTALIZER MECHS AVAILABILITY)	

STACKER MECHANISM



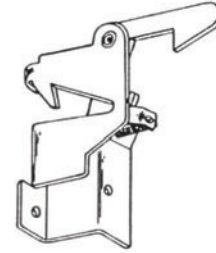
PART NO.	PRICE	CODE
CM-90-20	DOOR LATCH ASSEMBLY	401



**BOLTS & NUTS FOR INSTALLING DOOR LATCH
REQUIRES 3 BOLTS & NUTS**

B12	10-32 x 1/2" TRUSS HEAD BOLT UNSLOTTED (plated).....	402
N10K	10-32 KEP NUT (plated).....	403
B11	10-24 x 1/2" CARRIAGE BOLT UNSLOTTED (plated).....	404
B11-S	10-24 x 1/2" CARRIAGE BOLT UNSLOTTED (stainless)	405
N8N	10-24 NYLON INSERT NUT	406

PART NO.	CODE
CM-90-30 HOOK ASSEMBLY	407
includes Spring.	
CM-90-19 COIN RETURN SPRING	408



BOLTS & NUTS FOR INSTALLING ASSEMBLY

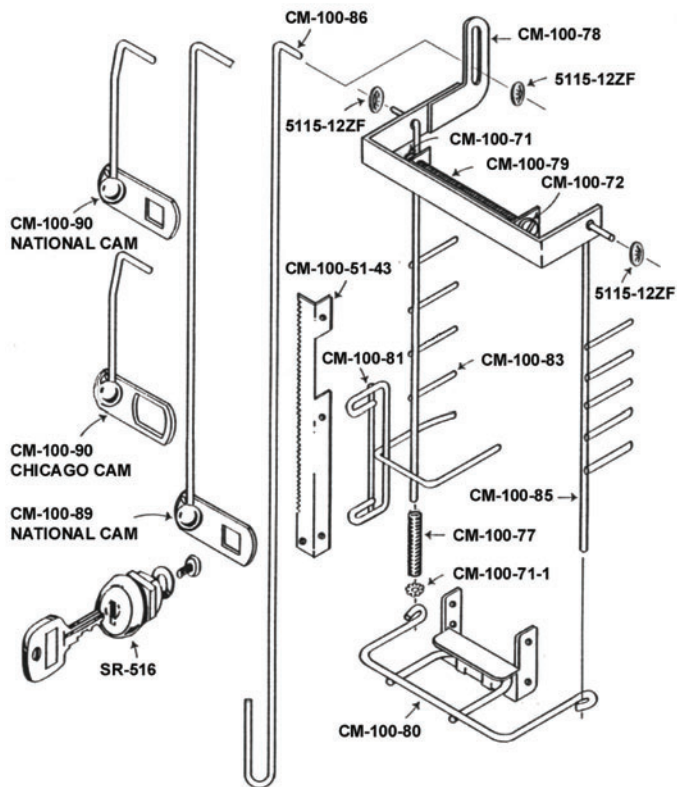
B6	8-32 x 1/2" BOLT	409
N5N	8-32 NYLON INSERT NUT	410

ILLUS. NO.	PART NO.	DESCRIPTION	CODE
1	CM-90-5-1	HOLD DOWN	411
	CM-90-11	COIN RETURN CHUTE K-80 STYLE .	412
	K-49-163	COIN RETURN CHUTE	413
	CM-90-57	10-24 x 1/4" BOLT w/#10 STAR WASHER for installing coin return chute	414
	CM-90-57-1	#8 x 1/2" TAP SCREW w/ STAR..... WASHER for installing coin return chute	415
11	CM-100-2	BASE PLATE	416
12	CM-100-3	CHANNEL	417
13	CM-100-3-3	BUSHING	418
14	CM-100-3-4	CAM CRANK-NICKEL SIDE	419
15	CM-100-3-5	CAM CRANK-DIME SIDE	420
	CM-100-4	NICKEL COIN GUIDE ASSEMBLY..... SPECIFY REGULAR OR QCL	421
50	M-111-R	QUARTER PAWL - REG. MECH	422
50	M-111-Q	QUARTER PAWL QUICK CHANGE LOCKOUT MECH...	423
17	CM-100-4-4	ROLLER	424
18	CM-100-4-5	COIN GUIDE SHAFT	425
19	CM-100-7	ATTACHMENT RIVET	426
	CM-100-8	ATTACHMENT PAWL SPACER.....	427
	CM-100-11	DIME COIN GUIDE ASSEMBLY	428
		includes dime release.	
21	CM-100-15	COIN RETURN LINK	429
22	CM-100-17	CHANNEL TO BASE SPRING.....	430
54	CM-100-19	NICKEL PRICE SETTER ASSEMBLY. SPECIFY TYPE PAWL	431
	CM-100-19-1	PRICE SETTER BASE	432
26	M-100-21-1	*#2 REGULAR NICKEL PAWL..... (1-1/16")	433

ILLUS. NO.	PART NO.	DESCRIPTION	CODE
26	M-100-21-1W	*#5 REGULAR NICKEL PAWL.....	434
		ROUND WEIGHT(1-1/16")	
26	M-100-21-4	*#4 DOUBLE EXTRA LONG	435
		PAWL (1-15/16")	
26	M-100-21-G	*#3 GANSAT PAWL (1-17/32")	436
26	M-100-21-DM	*#1 DES MOINES PAWL (11/16")	437
26	M-100-21-R	*RECLIPPED PAWL (1-13/32")	438
55	CM-100-20	DIME PRICE SETTER ASSEMBLY.....	439
		SPECIFY REG. OR LONG PAWL	
	CM-100-22-1	*REGULAR DIME PAWL (1-1/16").....	440
	CM-100-22-2	*LONG DIME PAWL (1-11/16").....	441
		*DIMENSIONS TAKEN FROM SHAFT TO END OF PAWL INCLUDES "E" RINGS	
37	CM-100-28	UPPER CHANNEL SPACER	442
38	CM-100-29	BOTTOM CHANNEL SPACER	443
39	CM-100-30	GUIDE GUIDE-NICKEL SIDE	444
40	CM-100-31	GUIDE GUIDE-DIME SIDE	445
41	CM-100-32	PRICE SETTER GUIDE	446
	CM-100-33	PRICE SETTER GUIDE SPACER.....	447
43	CM-100-38	CHANNEL TO BASE SHAFT	448
		(Includes "E" Ring)	
	CM-100-40	COIN GUIDE SPRING.....	449
45	CM-100-51	NICKEL INDEX ANGLE - REG. MECH..	450
	CM-100-52	DIME INDEX ANGLE	451
47	CM-100-61	DIME RELEASE	452
	M-114	6 QUARTER PAWL.....	453
	CM-90-19	DIME RELEASE SPRING	454

QUICK CHANGE LOCKOUT

PART NO.	DESCRIPTION	CODE
CM-100-79	8-32 x 2-1/4" BOLT	506
CM-100-80	BOTTOM CHANNEL SPACER	507
CM-100-81	STABILIZER	508
CM-100-83	*NICKEL SIDE LIFT	509
CM-100-85	*DIME SIDE LIFT	510
CM-100-86	*WIRE ACTUATED RACK TO	511
	HARNESS ROD	
CM-100-87	*K-77BD LOCK TO HARNESS	512
	ROD. SPECIFY CAM	
CM-100-88	*K-99 & K-410 LOCK TO	513
	HARNESS ROD. SPECIFY CAM	
CM-100-89	*C, K & S HOUSING LOCK	514
	TO HARNESS ROD. SPECIFY CAM	
CM-100-90	*K-49, S-49, K-100 & S-100 LOCK TO	515
	HARNESS ROD. SPECIFY CAM	
CM-100-90-1	*LOCK TO HARNESS ROD FOR K-49	516
	w/ FRONT ACCESS PANEL	
CM-100-91	*K-500 LOCK TO HARNESS ROD	517
	w/ NATIONAL CAM	
M-101	RIVET FOR QC LOCKOUT, CAM TO ROD	518
CM-100-51-43	NICKEL INDEX ANGLE w/ 43 NOTCHES	519
	FOR DAILY/SUNDAY LOCKOUT	
SR-516	STANDARD NATIONAL LOCK, NUT	520
	MOUNTED, FOR DAILY/SUNDAY LOCKOUT,	
	w/o CAM, w/ ONE KEY, TWO WAY PULL.	
	SPECIFY: #C2B, C4B, C6B, C8B, or C10B	
SR-516K	NATIONAL KEY ONLY	521
5115-12ZF	RETAINER RING	522
SR-516CL	CHICAGO KEY ONLY	523
	*INCLUDES RETAINER RINGS	



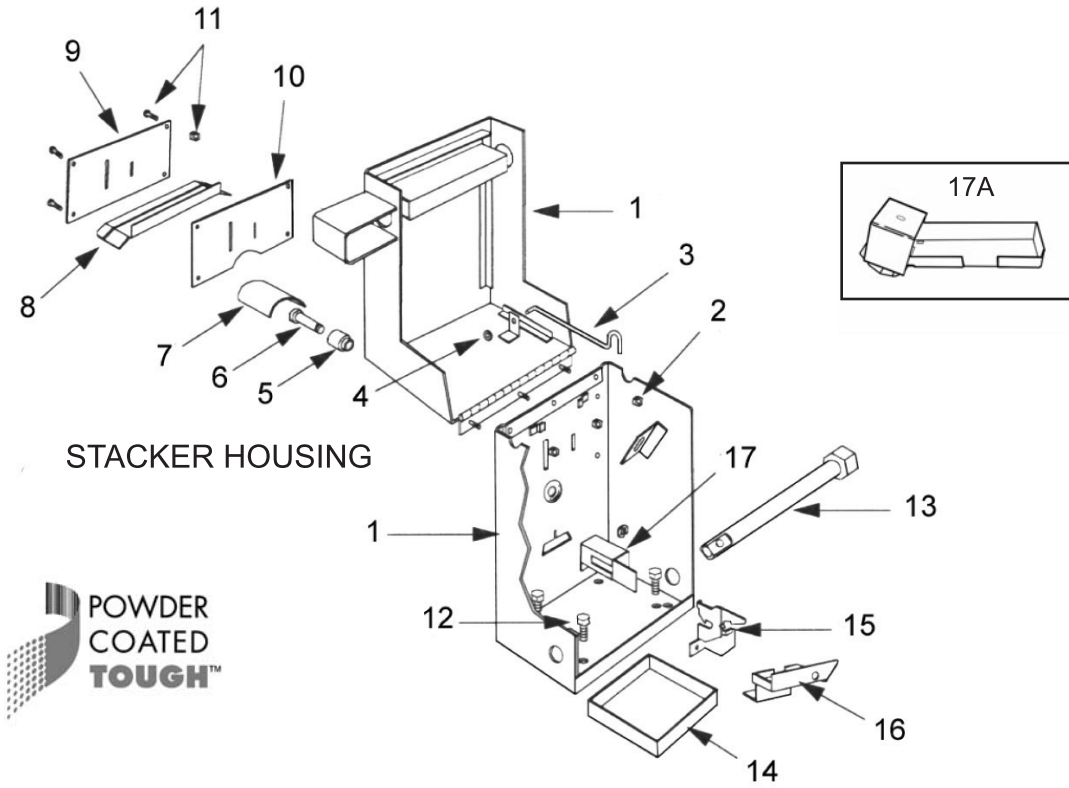
PART NO.	DESCRIPTION	CODE
CM-100-71	8-32 KEP NUT	501
CM-100-72	ROCKER ARM BUSHING	502
CM-100-77	COMPRESSION SPRING	503
CM-100-71-1	#6 SUPPORT WASHER	504
CM-100-78	ROCKER ARM	505

MISCELLANEOUS KASPAR® TK PARTS

PART NO.	DESCRIPTION	CODE	PART NO.	DESCRIPTION	CODE
T77A	INDEX PAWL GUIDE STUD	524	T835	ROCKER ARM	543
T79	HINGE PIN	525	T835-T840	EXTENSION SPRING	544
T80	ROLLER	526	T838	ROCKER ARM CONNECTOR LINK	545
T81	RECEIVER DOOR LINK	527	T841	ROCKER ARM LINK	546
T82	ROLLER	528	T847	DOOR HOOK	547
T-777	DIME STOP PAWL #2	529	T848	PRICE RANGE WHEEL	548
T779	THEFT PROOF BAFFLE	530	T849	PRICE RANGE WHEEL	549
T809	COIN RECEIVER DOOR	531	T850	PRICE RANGE WHEEL	550
T811	TOP COVER PLATE	532	T852	COIN RETURN ACTUATOR	551
T-812	SIDE COVER PLATE	533		includes "E" ring	
T815	PRICE RANGE WHEEL	534	T853	NATIONAL LOCK	552
T815-T816	INDEX WHEEL SPRING	535	T853-C	CHICAGO LOCK	553
M-818	RACHET PAWL STUD. The T818 ratchet	536	T855	M4 x 8mm PAN HEAD MACHINE SCREW	554
	pawl is attached to this stud		T856	M4 x 8mm FLAT HEAD MACHINE SCREW	555
T819-T824	EXTENSION SPRING	537	T857	M4 x .7 KEP NUT	556
M-822	TOTALIZER ARMS STUD. The T822	538	T857-1	M4 x .7 NYLON INSERT NUT	557
	totalizer arm is mounted to this stud		T858	M4 x 10mm PAN HEAD MACHINE SCREW	558
M-825	LATCH STUD. The T825 latch	539	T859	10-24 x 1/2 CARRIAGE BOLT & NYLON	559
	is mounted to this stud			NUT FOR T847	
T-825	LATCH	540	T-860-1	101-Q TOTALIZER ARM STOP	560
T-830	CUSHION ARM LINK	541		for quarters only mech	
T-839	RELEASE ARM ACTIVATOR	542	SR-200-20	COIN RETURN ACTUATOR BUSHING	561
			219 L	BRASS WASHER FOR \$3.00 WHEEL	562

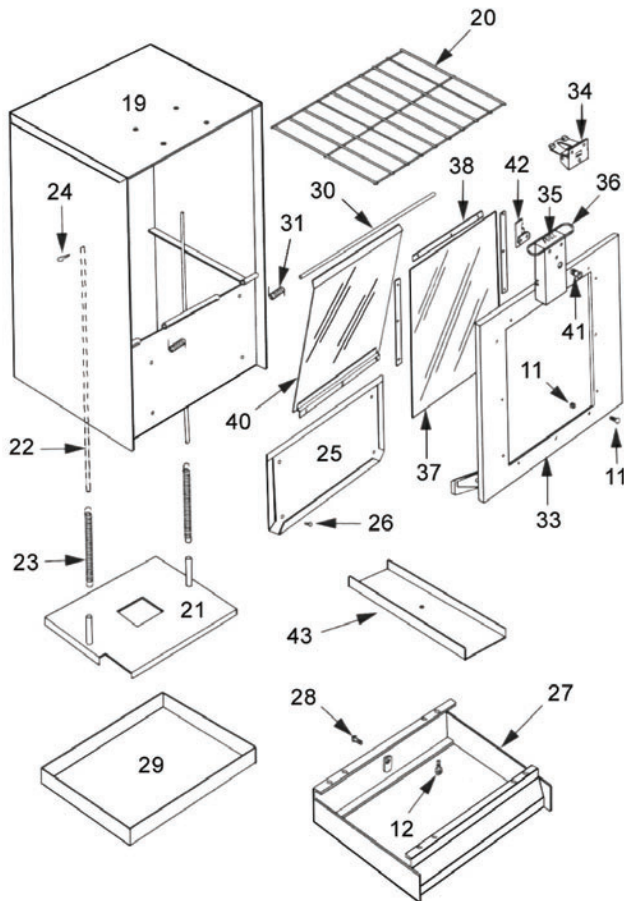
80 - SERIES RACK PARTS

ILLUS. NO.	PART NO.	DESCRIPTION	CODE	ILLUS. NO.	PART NO.	DESCRIPTION	CODE
1	CH10	ARMORED HOUSING (unfinished)..... (powder coated)..... Includes lid stop, retainer ring and nuts.	601 602	26	PR-4A	3/16" ALUMINUM RIVET Installs cardholder.....	653
1	CH10B	ARMORED HOUSING body only (unfinished)....	603	27	80-33	CABINET BASE (unfinished)..... (powder coated).....	654 655
1	CH10L	ARMORED HOUSING lid only (unfinished)....	604		B61	5/16" x 1-1/2" LEVELING BOLT.....	656
2	N12K	1/4" KEP NUT Installs lid to body.....	605	28	B30	1/4" x 1-1/2" RH BOLT.....	657
3	CH21	WIRE LID STOP.....	606	29	80-34	CONCRETE WEIGHT TRAY 2-1/2" x 13" x 17-3/4".....	658
4	CH22	1/4" RETAINER RING for lid stop.....	607			2" x 13" x 18-1/2" -Kaspar®.....	659
	D2	COIN RETURN DECAL - Black on White.....	608			2" x 13" x 16-3/4" - EB.....	660
5	SR-200-20	BRASS BUSHING.....	609	30	80-8	DOOR HINGE ROD.....	661
	SR200-20P	PUNCH TO INSTALL BUSHING TO HOUSING..	611	31	80-7	DOOR SPRING - 2 required.....	662
6	SR-200-21	PLASTIC PUSH BUTTON with "E" RING.....	611	31	80-7S	DOOR SPRING (stainless).....	663
	5133-50	#50 "E" RING.....	612	32	80-6	DOOR ONLY - 80 Broadsheet (unfinished)..... (Specify if for 50 WEB) (powder coated).....	664 665
7	SR200-30	STEEL BUTTON GUARD welds to housing.....	613	33	80-SDT-6	DOOR ONLY - 80 SD Tabloid (unfinished)..... (powder coated).....	666 667
8	SR200-40	BUTTON GUARD (unfinished)..... Mounts under faceplate (powder coated).....	614 615	34	CM-90-20	DOOR LATCH.....	668
9	SR-511-P	PLASTIC FACEPLATE 4" x 6-3/4".....	616		M-90-20-1	SPACER FOR BERKLEY SMALL DOOR.....	669
10	SR-511-PN	PLASTIC FACEPLATE 4" x 6-3/4" NOTCHED....	617		B11	10-24 x 1/2" CARRIAGE BOLT (plated)..... For installing door latch.	670
11	B1	5-40 x 3/8" UNSLOTTED BOLT (plated).....	618		B11-S	10-24 x 1/2" CARRIAGE BOLT (stainless).....	671
	B1A-S	5-40 x 3/8" UNSLOTTED BOLT (stainless)....	619		N8N	10-24 NYLON INSERT NUT.....	672
	B1B-S	5-40 x 1/2" UNSLOTTED BOLT (stainless).... For installing plastic and faceplate.	620		B12	10-32 x 1/2" UNSLOTTED BOLT..... For installing door latch.	673
	N1H	5-40 HEX NUT.....	621		N10K	10-32 KEP NUT.....	674
12	B13	1/4" x 1/2" HEX BOLT Installs housing & base.....	622	35	D1	PULL DECAL - Black on White..... (3/4" x 2-1/4")	675
	25SW	1/4" EXTERNAL LOCK WASHER..... For installing housing.	623	36	80-3	DOOR LATCH HOUSING ONLY..... (unfinished) Includes wire pull.	676
13	SR-515	ARMORED BOLT 7/8" x 10" (plated).....	624	36	WP-1	WIRE PULL ONLY (unfinished).....	677
14	SR-512	COIN TRAY (galvanized).....	625	37	80-12	DOOR & SIDE WINDOW PLASTIC .080..... .093.....	678 679
15	CM-90-30	HOOK ASSEMBLY- STACKER MECH.....	626	38	P1	DOOR MOLDING STRIP - 3 required.....	680
	M90-30	HOOK ONLY - BELLATRIX MECH.....	627	38	50W	50 WEB DOOR MOLDING STRIP SET(unfinished)..... (Specify if for 48 WEB) (powder coated).....	681 682
	CM-90-19	COIN RETURN SPRING.....	628	39	P-2B	BROADSHEET PLASTIC TENSION 3/4"..... PAPER HOLDER 1-1/2"..... 1-1/2" metro. 685	683 684 685
	B6	8-32 x 1/2" RH BOLT Installs door hook.....	629	40	P-3T	TABLOID PLASTIC TENSION 3/4"..... PAPER HOLDER 1-1/2".....	686 687
	N5N	8-32 NYLON INSERT NUT.....	630	41	80-50	STANDARD NATIONAL LOCK, NUT MOUNTED TO OPEN PAPER DOOR, INCLUDES CAM ASSEMBLY (item #42) & ONE KEY, ONE WAY PULL. SPECIFY: #C2B, C4B, C6B, C8B, OR C10B.....	688
16	CM-90-11	COIN RETURN CHUTE.....	631	42	FDLC	CAM ASSEMBLY ONLY for lock to open paper door. SPECIFY: NATIONAL or CHICAGO CAM.	689
	CM-90-11-P	COIN RETURN CHUTE with protection shield....	632	43	80-52	ANCHOR BRACKET for sidewalk installation.....	690
	B9	10-24 x 1/4" RH BOLT Installs chute.....	633	44	N12K	1/4" KEP NUT Installs housing to..... Kaspar® cabinet.	691
	W3	#10 STAR WASHER.....	634		H-602	MECH TOP MOUNTING STUD.....	692
	TSI-W	#8 1/2" TAP SCREW with #10 star washer.....	635		H-601	MECH BOTTOM MOUNTING STUD.....	693
17	SR-514	COIN RETURN REJECT CUP (unfinished).....	636		80-5	DOOR STOP ASSEMBLY for welding to..... paper door (unfinished)	694
17A	BS	SIDE COIN RETURN CHUTE.....	637		C-80-9	DOOR STOP RIVET.....	695
18	80-B	CABINET ONLY - 80 Broadsheet (unfinished).... (powder coated).....	638 639		C-80-9W	DOOR STOP SPACER WASHER.....	696
19	80SDT	CABINET ONLY - 80 SD Tabloid (unfinished).... (powder coated).....	640 641		C-80-9SW	3/8" DOOR STOP SPRING WASHER.....	697
20	80-10	WIRE SHELF (powder coated).....	642	SR-516	STANDARD NUT MOUNTED NATIONAL LOCK FOR DAILY/SUNDAY LOCKOUT w/o CAM, w/ ONE KEY, TWO WAY PULL, SPECIFY: #C2B, C4B, C6B, C8B, or C10B.....	698	
21	80-22	ELEVATOR SHELF (galvanized).....	643	SR-516C	CHICAGO LOCK SPECIFY LOCK#.....	699	
22	80-23	ELEVATOR SHELF ROD - 2 required.....	644	CM-100-89	LOCK TO HARNESS ROD w/ CAM FOR QUICK CHANGE. SPECIFY NATIONAL or CHICAGO CAM.....	700	
23	80-24	ELEVATOR SHELF SPRING - 2 required.....	645				
24	CPI	1/8" x 1" COTTER PIN - 2 required.....	646				
		1 5/8" HAIR PIN COTTER PIN.....	647				
	80-60	ELEVATOR SHELF BRACKET ONLY..... Welded in top of cabinet.	648				
25	80-16	11" x 17" OPEN TOP CARDHOLDER (unfinished).... (powder coated) ..	649 650				
	80-16-1	11" x 17" 4 LIP CARDHOLDER (unfinished).... (powder coated) ...	651 652				

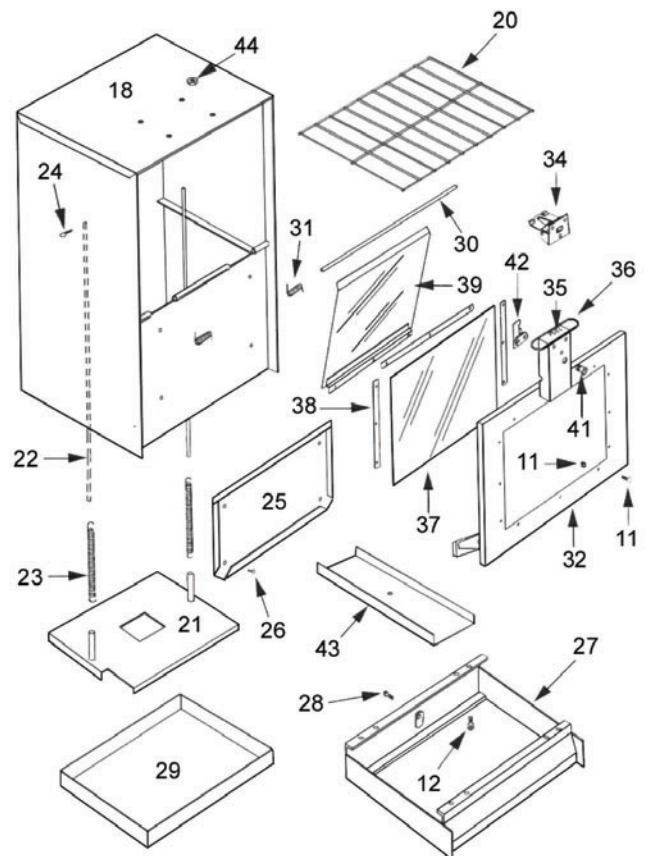


**POWDER
COATED
TOUGH™**

80 SD TABLOID CABINET



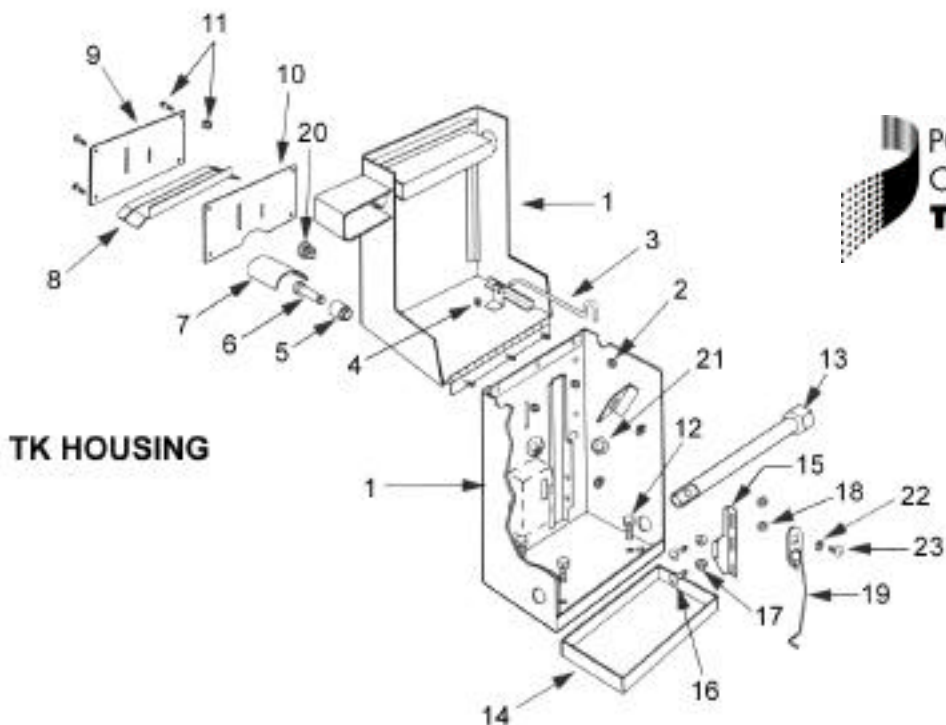
80 BROADSHEET CABINET



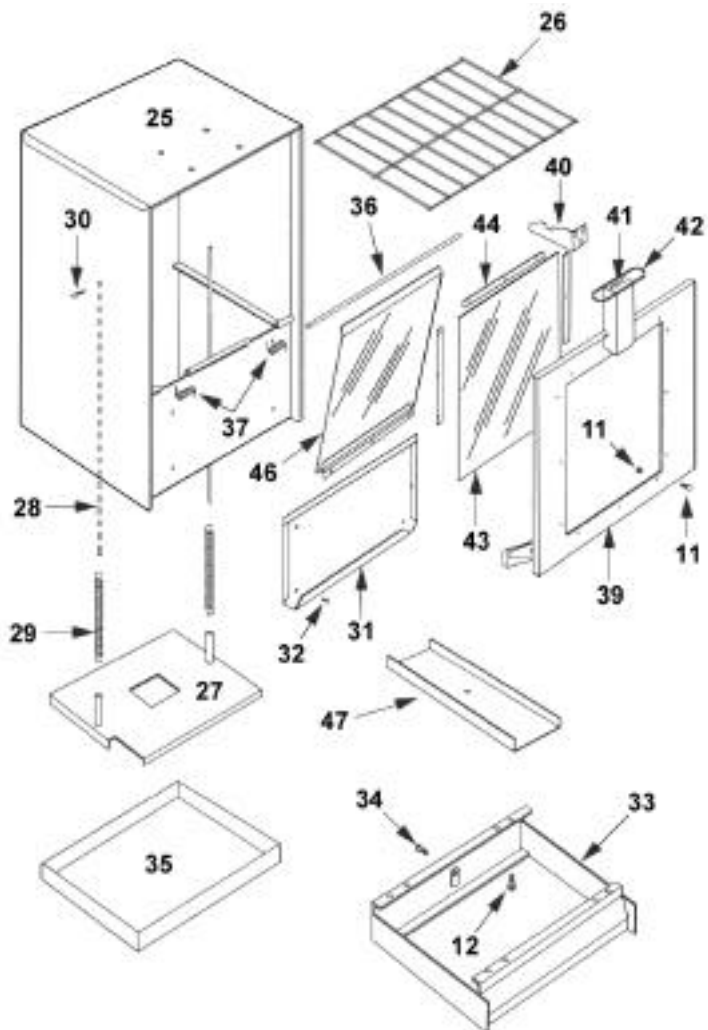
TK 80 - SERIES RACK PARTS

ILLUS. NO.	PART NO.	DESCRIPTION	CODE	ILLUS. NO.	PART NO.	DESCRIPTION	CODE
1	CH20	TK ARMORED HOUSING ONLY (unfinished)..... (12 gauge) (powder coated)..... Includes lid stop, retainer ring, & nuts	801 802	30	CPI	1/8" x 1" COTTER PIN - 2 required..... 1 5/8" HAIR PIN COTTER PIN.....	848 849
1	CH20B	TK ARMORED HOUSING BODY ONLY..... (12 gauge - unfinished)	803	80-60	ELEVATOR SHELF BRACKET ONLY..... Welded in top of cabinet.	850	
1	CH29L	TK ARMORED HOUSING LID ONLY..... (12 gauge - unfinished)	804	31	80-16	11" x 17" OPEN TOP CARDHOLDER (unfinished)..... (powder coated).....	851 852
2	N12K	1/4" KEP NUT for installing lid.....	805	80-16-1	11" x 17" 4 LIP CARDHOLDER (unfinished)..... (powder coated).....	853 854	
3	CH21	WIRE LID STOP.....	806	32	PR-4A	3/16" ALUMINUM RIVET to install cardholder.....	855
4	CH22	1/4" RETAINER RING for wire lid stop.....	807	33	80-33	CABINET BASE (unfinished)..... (powder coated).....	856 857
5	SR-200-20	BRASS BUSHING.....	809	B61	5/16" x 1 1/2" LEVELING BOLT.....	858	
	SR-200-20P	PUNCH TO INSTALL BUSHING TO HOUSING.....	810	34	B30	1/4" x 1 1/2" RH BOLT.....	859
6	T852	PLASTIC PUSH BUTTON - INCLUDES "E" RING.....	811	35	80-34	CONCRETE WEIGHT TRAY 2-1/2" x 13" x 17-3/4"..... 2" x 13" x 18-1/2" - Kaspar®..... 2" x 13" x 16-3/4" - EB.....	860 861 862
	5133-50	#50 "E" RING.....	812	36	80-8	DOOR HINGE ROD.....	863
7	SR-200-30	STEEL BUTTON GUARD for welding to housing.....	813	37	80-7	DOOR SPRING - 2 required.....	864
8	SR-200-40	BUTTON GUARD mounts under faceplate (unfinished)..... (powder coated).....	814 815	38	TK80-B	TK BROADSHEET DOOR ONLY (Specify if for 50 WEB) (unfinished)..... (powder coated).....	865 866
9	SR-711-P	PLASTIC FACEPLATE 4" x 6 3/4".....	816	39	TK80 SDT	TK TABLOID DOOR ONLY (unfinished)..... (powder coated).....	867 868
10	SR-711-PN	PLASTIC FACEPLATE 4" x 6 3/4" -NOTCHED... ..	817	40	T847	DOOR HOOK.....	869
11	B1	5-40 x 3/8" RH UNSLOTTED BOLT (plated).....	818	M847-1	SPACER.....	870	
	B1A-S	5-40 x 3/8" RH UNSLOTTED BOLT (stainless) ...	819	B11	10-24 x 1/2" CARRIAGE BOLT (plated)..... For installing door hook. (stainless).....	871 872	
	B1B-S	5-40 x 1/2" RH UNSLOTTED BOLT (stainless) ... (For installing plastic and faceplate)	820	N8N	10-24 NYLON NUT..... For installing door hook.	873	
11	N1H	5-40 HEX NUT.....	821	B12	10-32 x 1/2" UNSLOTTED BOLT.....	874	
12	B13	1/4" x 1/2" HEX BOLT..... (For installing housing and base)	822	N10K	10-32 KEP NUT.....	875	
	25SW	1/4" EXTERNAL LOCK WASHER..... (For installing housing)	823	41	D1	PULL DECAL - Black on White.....	876
13	SR-715	ARMORED BOLT 7/8" x 10" (plated).....	824	42	TK80-3	TK HOOK HOUSING (unfinished)..... Includes wire pull.	877
14	SR-712	COIN TRAY (galvanized).....	825	42	WP1	WIRE PULL ONLY (unfinished).....	878
	GEO-T	COIN TRAY GEO MECH (galvanized)..... (4-5/16" x 5-1/2" x 2" with two holes)	826	43	80-12	DOOR & SIDE PLASTIC .080..... .093.....	879 880
15	SR-717	DOOR LATCH LIFT BRACKET.....	827	44	P1	DOOR MOLDING STRIP - 3 required.....	881
16	B20	8-32 x 3/8" BOLT - 2 required.....	828	44	50W	50 WEB DOOR MOLDING STRIP SET (unfinished).... (Specify if for 48 WEB) (powder coated)....	882 883
17	SR-720	BUSHING - 2 required.....	829	45	P-2B	BROADSHEET PLASTIC TENSION 3/4"..... PAPER HOLDER 1 1/2"..... 1 1/2" metro.....	884 885 886
18	N20K	8-32 KEP NUT - 2 required.....	830	46	P-3T	TABLOID PLASTIC TENSION 3/4"..... PAPER HOLDER 1 1/2".....	887 888
19	SR-718	LIFT ROD- SPECIFY: NATIONAL OR CHICAGO CAM.....	831	47	80-52	ANCHOR BRACKET for sidewalk installation.....	889
20	SR-154N	STANDARD NATIONAL LOCK, NUT MOUNTED TO OPEN PAPER DOOR. INCLUDES ITEMS 21, 22, & 23 & ONE KEY, ONE WAY PULL. SPECIFY: #C2B, C4B, C6B, C8B, OR C10B.....	832	48	N12K	1/4" KEP NUT for installing housing..... to Kaspar® cabinet	890
21	N21	NUT FOR INSTALLING NATIONAL LOCK TO HOUSING.....	833	TH605-5	TK PILOT STUD for mounting mech.....	891	
22	SW1	LOCK WASHER FOR ATTACHING NATIONAL LOCK CAM.....	834	TH605-4	TK MOUNTING STUD for mounting mech.....	892	
23	B22	10-32 x 3/16" BOLT FOR ATTACHING NATIONAL LOCK CAM.....	835	80-5	DOOR STOP ASSEMBLY (unfinished)..... For welding to paper door.	893	
20	SR-154C	CHICAGO LOCK- SPECIFY: LOCK#.....	836	C-80-9	DOOR STOP RIVET.....	894	
	C21	NUT FOR INSTALLING CHICAGO LOCK TO HOUSING.....	837	C-80-9W	DOOR STOP SPACER WASHER.....	895	
	C22	NUT FOR INSTALLING CHICAGO CAM.....	838	C-80-9SW	3/8" DOOR STOP SPRING WASHER.....	896	
	TK80-1	KIT TO ADD LOCK TO OPEN PAPER DOOR. INCLUDES ITEMS 15 THRU 23. SPECIFY: LOCK #.....	839	SR-516	STANDARD NUT MOUNTED NATIONAL LOCK FOR DAILY/SUNDAY LOCKOUT WITH ONE KEY, TWO WAY PULL. SPECIFY: #C2B, C4B, C6B, C8B, OR C10B.....	897	
24	80-B	CABINET ONLY - 80 Broadsheet (unfinished)..... (powder coated).....	840 841				
25	80 SDT	CABINET ONLY - 80 SDTabloid (unfinished)..... (powder coated).....	842 843				
26	80-10	WIRE SHELF (powder coated).....	844				
27	80-22	ELEVATOR SHELF (galvanized).....	845				
28	80-23	ELEVATOR SHELF ROD - 2 required.....	846				
29	80-24	ELEVATOR SHELF SPRING - 2 required.....	847				

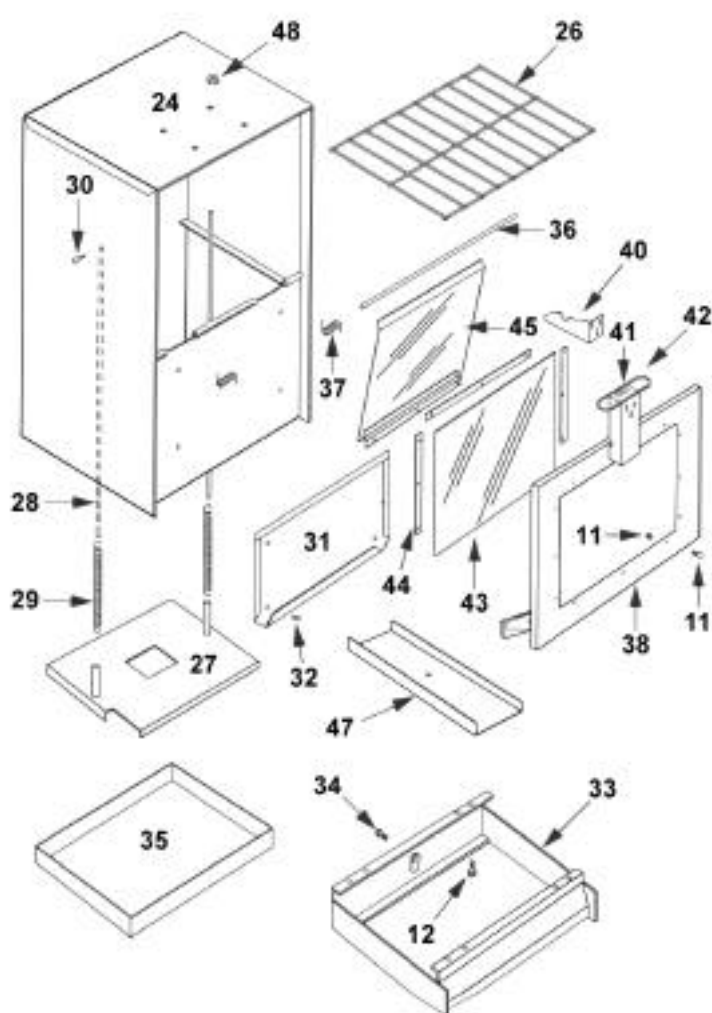
TK 80 - SERIES RACK PARTS



TK-80 SD TABLOID CABINET



TK-80 BROADSHEET CABINET



ILLUS. NO.	PART NO.	DESCRIPTION	CODE
STACKER OR TOTALIZER			
1	49-1	CABINET ONLY (unfinished) (powder coated).....	1001 1002
STACKER			
2	49-2	S-STYLE MECH PANEL ONLY (unfinished) (powder coated).....	1003 1004
3	49100-1	STANDARD NATIONAL LOCK, NUT MOUNTED FOR DAILY/SUNDAY LOCKOUT, w/o CAM, w/ KEY, TWO WAY PULL, SPECIFY: #C2B, C4B, C6B, C8B, or C10B	1005
4	49100-2	SECURITY NATIONAL LOCK, NUT MOUNTED FOR 49 MECH PANEL, w/ CAM & ONE KEY, ONE WAY PULL. SPECIFY: #N0001, N0002, N0003 or N0004	1006
	49100-2K	KEY ONLY for security lock	1007
4	49100-3	STANDARD NATIONAL LOCK, NUT MOUNTED FOR 49 MECH PANEL, w/ CAM & ONE KEY, ONE OR TWO WAY PULL. SPECIFY: #C2B, C4B, C6B, C8B, or C10B.....	1008
	49100-3K	KEY ONLY for standard lock	1009
5	49100-4	SECURITY LOCK BENT CAM ONLY	1010
5	49100-5	STANDARD LOCK BENT CAM ONLY	1011
6	49100-6	ARMORED ATTACHMENT (unfinished)..... (powder coated)..... Includes two stainless 10-24 x 1/2" carriage bolts and two nylon insert nuts.	1012 1013
7	49-7K	PLASTIC FACEPLATE (3-13/16" x 5-3/8") SPECIFY TYPE MECH TO BE USED	1014
8	SR-200-21	PLASTIC PUSH BUTTON Includes "E" ring.....	1015
	5133-50	#50 "E" RING.....	1016
	D2	COIN RETURN DECAL - Black on White	1017
9	SR-200-20	BRASS BUSHING ONLY	1018
	SR200-20PP	PUNCH TO INSTALL BRASS BUSHING	1019
10	49100-8N	STANDARD NATIONAL LOCK, NUT MOUNTED TO OPEN PAPER DOOR, INCLUDES CAM ASSEMBLY (item #11) & ONE KEY, ONE WAY PULL. SPECIFY: #C2B, C4B, C6B, C8B, or C10B	1020
	49100-8C	CHICAGO LOCK SPECIFY LOCK NUMBER	1021
11	FDLC	CAM ASSEMBLY ONLY to open paper door SPECIFY NATIONAL or CHICAGO CAM.....	1022
12	CM-90-20	DOOR LATCH ASSEMBLY.....	1023
	B11	10-24 x 1/2" CARRIAGE BOLT (plated).....	1024
	B11-S	For installing door latch (stainless).....	1025
	N8N	10-24 NYLON INSERT NUT	1026
13	CM 90-30	HOOK ASSEMBLY	1027
	M-90-30	HOOK - BELLATRIX MECH	1028
	CM-90-19	COIN RETURN SPRING	1029
	B6	8-32 x 1/2" BOLT For installing door hook assy.....	1030
	N5N	8-32 NYLON INSERT NUT	1031
14	49100-9	COIN RETURN CHUTE.....	1032
	B9	10-24 x 1/4" RH BOLT For installing coin return chute.	1033
	W3	#10 STAR WASHER.....	1034
	49100-10	COIN RETURN CUP ONLY (unfinished).....	1035
15	49100-11	COIN TRAY (galvanized)..... (5" x 5-3/8" x 2-1/2")	1036
16	49-3	S-BROADSHEET DOOR ONLY (unfinished)..... (Specify if for 50 WEB) (powder coated)	1037 1038
17	49-4	S-TABLOID DOOR ONLY (unfinished)..... (powder coated).....	1039 1040
	D1	PULL DECAL - Black on White	1041
18	80-12	11-7/8" x 14-5/8" POLYCARBONATE .080 DOOR PLASTIC .093.....	1042 1043

ILLUS. NO.	PART NO.	DESCRIPTION	CODE
19	B1	5-40 x 3/8" UNSLOTTED BOLT (plated).....	1044
	B1A-S	5-40 x 3/8" UNSLOTTED BOLTS (stainless).....	1045
	B1B-S	5-40 x 1/2" UNSLOTTED BOLTS (stainless).....	1046
	N1H	5-40 HEX NUT (plated)	1047
20	P1	DOOR MOLDING STRIP - 3 required.....	1048
21	P-2B	BROADSHEET PLASTIC TENSION 3/4"..... PAPER HOLDER 1-1/2"..... 1-1/2" METRO.....	1049 1050 1051
22	49P-3T	TABLOID PLASTIC TENSION 3/4"..... PAPER HOLDER 1-1/2".....	1052 1053
23	49100-12	DOOR HINGE ROD (galvanized).....	1054
24	49-166	DOOR SPRING - 2 required.....	1055
25	B13-1	1/4" x 3/4" HEX BOLT	1056
	N12K	1/4" KEP NUT.....	1057
TOTALIZER			
30	49-5	TOTALIZER-STYLE MECH PANEL ONLY (unfinished)..... (powder coated).....	1058 1059
	D2	COIN RETURN DECAL - Black on White.....	1060
31	49-7TK	PLASTIC FACEPLATE (3-13/16" x 5-3/8")	1061
32	T852	PLASTIC PUSH BUTTON w/ "E" Ring	1062
	5133-50	#50 "E" - RING	1063
33	49100-13N	STANDARD NATIONAL LOCK, NUT MOUNTED TO OPEN PAPER DOOR. INCLUDES LIFT ROD w/ CAM (ITEM #33A) & ONE KEY, ONE WAY PULL SPECIFY: #C2B, C4B, C6B, C8B, or C10B.....	1064
	49-100-13C	CHICAGO LOCK SPECIFY LOCK NUMBER.....	1065
33A	49100-14	LIFT ROD ONLY FOR LOCK TO OPEN PAPER DOOR. SPECIFY NATIONAL OR CHICAGO CAM.....	1066
34	49-6	TOTALIZER BROADSHEET DOOR ONLY (Specify if for 50 WEB) (unfinished)..... (powder coated).....	1067 1068
35	49-7	TOTALIZER TABLOID DOOR ONLY (unfinished)..... (powder coated).....	1069 1070
	D1	PULL DECAL - Black on White.....	1071
36	T847	DOOR HOOK.....	1072
	B11	10-24 x 1/2" CARRIAGE BOLT (plated).....	1073
	B11-S	For installing door hook. (stainless)	1074
	N8N	10-24 NYLON INSERT NUT (plated).....	1075
FREE STYLE			
40	49-8	PANEL ONLY (unfinished)..... (powder coated).....	1076 1077
41	49-9	BROADSHEET DOOR ONLY (unfinished)..... (Specify if for 50 WEB) (powder coated).....	1078 1079
42	49-10	TABLOID DOOR ONLY (unfinished)..... (powder coated).....	1080 1081
49-DW			
50	49DW-10	CABINET ONLY. Partition panel is standard. SPECIFY IF w/o PANEL. (unfinished)..... (powder coated).....	1082 1083
51	49DW-11	15-13/16" x 23-1/2" POLYCARBONATE DOOR PLASTIC.....	1084
52	49DW-12	METAL MOUNTING STRIP FOR PLASTIC DOOR (unfinished)..... (powder coated).....	1085 1086
53	B11-S	10-24 x 1/2" CARRIAGE BOLT (stainless).....	1087
	N8K	10-24 KEP NUT	1088
54	49DW-13	PLASTIC DOOR PULL Includes two 8-32 x 1/2" BOLTS - Item #55	1089
55	B21	8-32 x 1/2" BOLT	1090
56	49DW-14	DOOR HINGE ROD (galvanized).....	1091
57	49DW-15	DOOR SPRING (stainless) One required.....	1092
58	49DW-16	PARTITION PANEL ONLY (unfinished).....	1093

49 - SERIES RACK PARTS

STACKER OR TOTALIZER

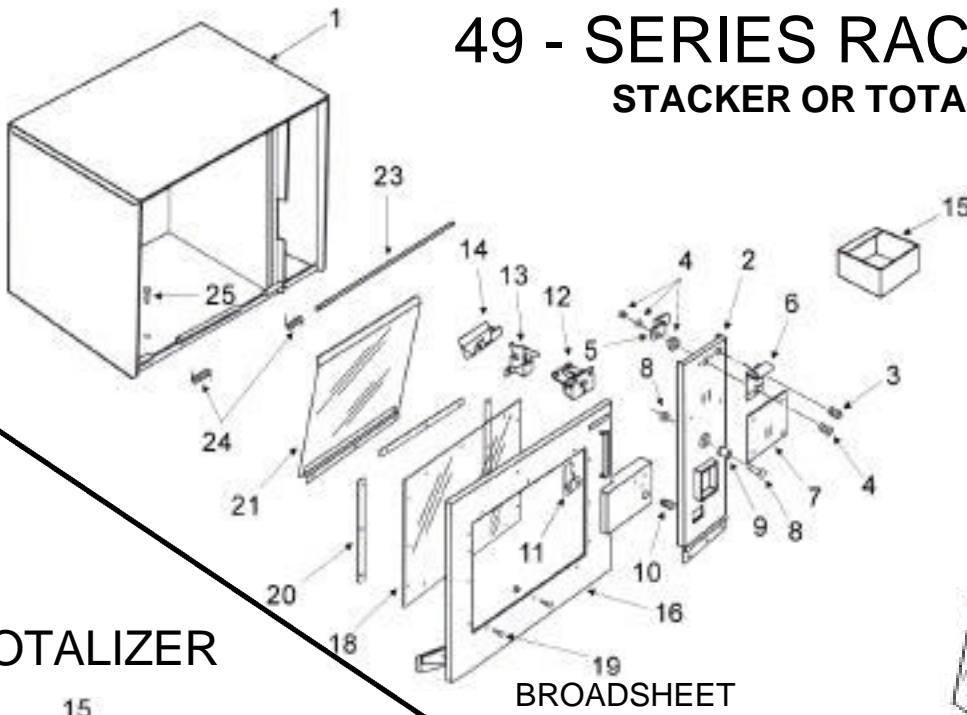


49 SERIES SPECIFICATIONS:

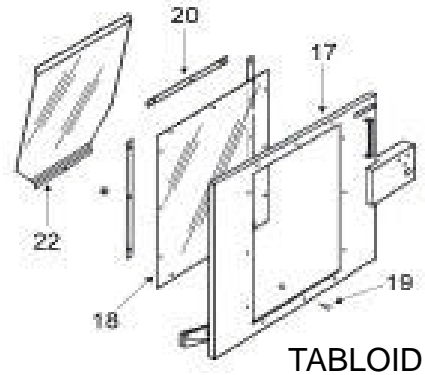
17-1/2" HIGH - 24-1/8" WIDE
16" FRONT TO BACK

IMPRESSION AREA:

SIDES 15" WIDE X 16" HIGH
BACK 22" WIDE X 16" HIGH
PAPER DOOR. 16" WIDE X 1-1/2" HIGH

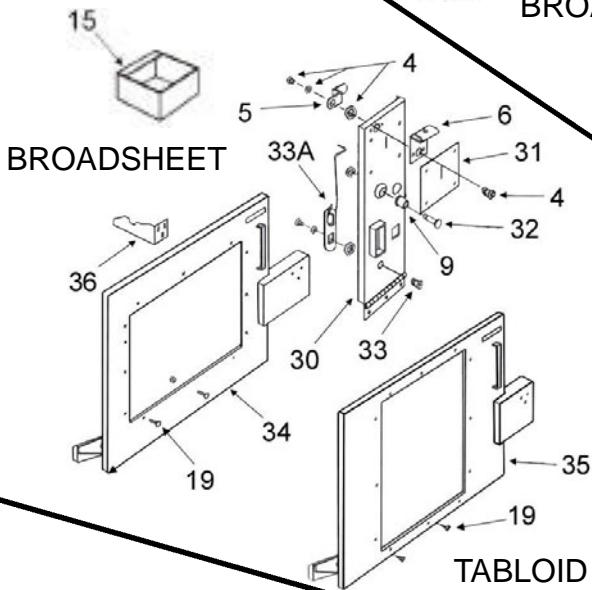


TOTALIZER



BROADSHEET

TABLOID



BROADSHEET

TABLOID

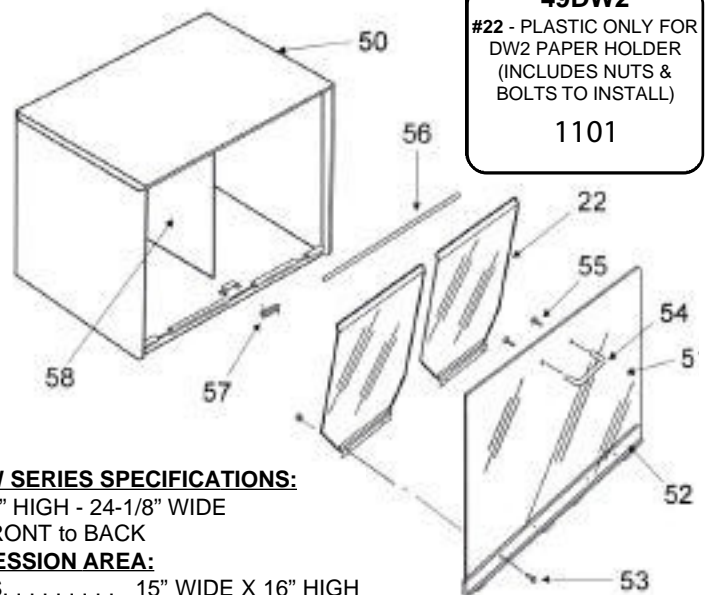
FREE STYLE

49 DW

49DW2

#22 - PLASTIC ONLY FOR DW2 PAPER HOLDER (INCLUDES NUTS & BOLTS TO INSTALL)

1101

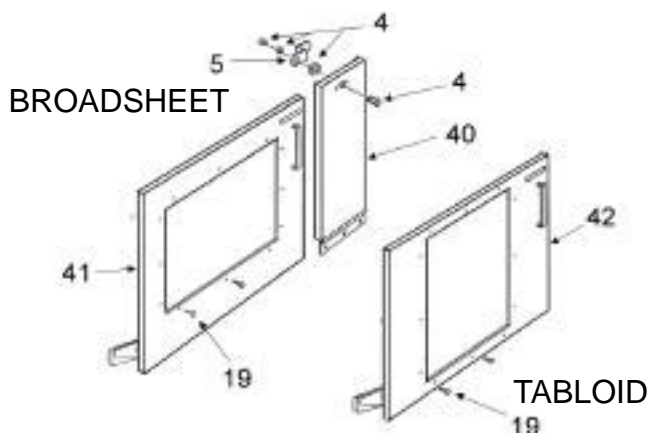


49 DW SERIES SPECIFICATIONS:

17-1/2" HIGH - 24-1/8" WIDE
16" FRONT TO BACK

IMPRESSION AREA:

SIDES 15" WIDE X 16" HIGH
BACK 22" WIDE X 16" HIGH
PLASTIC DOOR . 22" WIDE X 14" HIGH



BROADSHEET

TABLOID

49DW2
DOOR PLASTIC ONLY FOR DW2 (11 3/8" x 15 3/4")
1102

49DW2
METALSTRIP ONLY POWDER COATED
1103

49DW2
COMPLETE DOOR WITH PAPER HOLDER POWDER COATED
1104

ILLUS. NO.	PART NO.	DESCRIPTION	CODE
STACKER OR TOTALIZER			
1	100-1	CABINET ONLY (unfinished).....	1201
		(powder coated).....	1202
1A	100-375B	BASE ONLY (unfinished).....	1203
		(powder coated).....	1204
1B	100-375T	CONCRETE TRAY (2-1/8" x 13-3/8"x22-1/2").....	1205

STACKER

2	100-2	S-STYLE MECH PANEL ONLY (unfinished).....	1206
		(powder coated).....	1207
3	49100-1	STANDARD NATIONAL LOCK, NUT MOUNTED FOR DAILY/SUNDAY LOCKOUT, w/o CAM, w/ ONE KEY, TWO WAY PULL, SPECIFY: #C2B, C4B, C6B, C8B, or C10B.....	1208
4	49100-2	SECURITY NATIONAL LOCK, NUT MOUNTED FOR 100 MECH PANEL, w/ CAM & ONE KEY, ONE WAY PULL. SPECIFY: #N0001, N0002, N0003 or N0004.....	1209
	49100-2K	KEY ONLY for security lock.....	1210
4	49100-3	STANDARD NATIONAL LOCK, NUT MOUNTED FOR 100 MECH PANEL, w/ CAM & ONE KEY, ONE OR TWO WAY PULL. SPECIFY: #C2B, C4B, C6B, C8B, or C10B.....	1211
	49100-3K	KEY ONLY for standard lock.....	1212
5	49100-4	SECURITY LOCK BENT CAM ONLY.....	1213
5	49100-5	STANDARD LOCK BENT CAM ONLY.....	1214
6	49100-6	ARMORED ATTACHMENT (unfinished).....	1215
		(powder coated).....	1216
		Includes two stainless 10-24 x 1/2" carriage bolts and two nylon insert nuts.	
7	100-7K	PLASTIC FACEPLATE (3-13/16" x 5-3/8") SPECIFY TYPE MECH TO BE USED.....	1217
8	SR-200-21	PLASTIC PUSH BUTTON Includes "E" ring.....	1218
	5133-50	#50 "E" RING.....	1219
	D2	COIN RETURN DECAL - Black on White.....	1220
9	SR-200-20	BRASS BUSHING ONLY.....	1221
	SR200-20P	PUNCH TO INSTALL BRASS BUSHING.....	1222
10	49100-8N	STANDARD NATIONAL LOCK, NUT MOUNTED TO OPEN PAPER DOOR, INCLUDES CAM ASSEMBLY (item #11) & ONE KEY, ONE WAY PULL. SPECIFY: #C2B, C4B, C6B, C8B, or C10B.....	1223
	49100-8C	CHICAGO LOCK SPECIFY LOCK NUMBER.....	1224
11	FDLC	CAM ASSEMBLY ONLY to open paper door SPECIFY NATIONAL or CHICAGO CAM.....	1225
12	CM-90-20	DOOR LATCH ASSEMBLY.....	1226
	B11	10-24 x 1/2" CARRIAGE BOLT (plated).....	1227
	B11-S	For installing door latch (stainless).....	1228
	N8N	10-24 NYLON INSERT NUT.....	1229
13	CM 90-30	HOOK ASSEMBLY.....	1230
	M-90-30	HOOK - BELLATRIX MECH.....	1231
	CM-90-19	COIN RETURN SPRING.....	1232
	B6	8-32 x 1/2" BOLT For installing door hook.....	1233
	N5N	8-32 NYLON INSERT NUT.....	1234
14	49100-9	COIN RETURN CHUTE.....	1235
	B9	10-24 x 1/4" RH BOLT For installing coin return chute.....	1236
	W3	#10 STAR WASHER.....	1237
	49100-10	COIN RETURN CUP ONLY (unfinished).....	1238
15	49100-11	COIN TRAY (galvanized).....	1239
		(5" x 5-3/8" x 2-1/2")	

ILLUS. NO.	PART NO.	DESCRIPTION	CODE
16	100-3	S-BROADSHEET DOOR ONLY (unfinished).....	1240
		(Specify if for 50 WEB) (powder coated).....	1241
17	100-4	S-TABLOID DOOR ONLY (unfinished).....	1242
		(powder coated).....	1243
	D1	PULL DECAL - Black on White.....	1244
18	80-12	11-7/8" x 14-5/8" POLYCARBONATE .080.....	1245
		DOOR PLASTIC .093.....	1246
19	B1	5-40 x 3/8" UNSLOTTED BOLT (plated).....	1247
	B1A-S	5-40 x 3/8" UNSLOTTED BOLTS (stainless).....	1248
	B1B-S	5-40 x 1/2" UNSLOTTED BOLTS (stainless).....	1249
	N1H	5-40 HEX NUT (plated).....	1250
20	P1	DOOR MOLDING STRIP - 3 required.....	1251
21	P-2B	BROADSHEET PLASTIC TENSION 3/4".....	1252
		PAPER HOLDER 1-1/2".....	1253
		1-1/2" METRO.....	1254
22	P-3T	TABLOID PLASTIC TENSION 3/4".....	1255
		PAPER HOLDER 1-1/2".....	1256
23	49100-12	DOOR HINGE ROD (galvanized).....	1257
24	80-7	DOOR SPRING - 2 required.....	1258
25	80-16	11" x 17" OPEN TOP CARDHOLDER (unfinished).....	1259
		(powder coated).....	1260
26	PR-4A	3/16" ALUMINUM POP RIVET.....	1261
27	100-ES	ELEVATOR SHELF (galvanized).....	1262
28	80-24	ELEVATOR SHELF SPRING - 2 required.....	1263
29	80-23	ELEVATOR SHELF ROD - 2 required.....	1264
	CP1	1-5/8" HAIR PIN COTTER PIN.....	1265

TOTALIZER

30	100-5	TOTALIZER-STYLE MECH PANEL ONLY (unfinished).....	1266
		(powder coated).....	1267
	D2	COIN RETURN DECAL - Black on White.....	1268
31	100-7TK	PLASTIC FACEPLATE (3-13/16" x 5-3/8").....	1269
32	T852	PLASTIC PUSH BUTTON w/ "E" Ring.....	1270
	5133-50	#50 "E" - RING.....	1271
33	49100-13N	STANDARD NATIONAL LOCK, NUT MOUNTED TO OPEN PAPER DOOR. INCLUDES LIFT ROD w/ CAM (ITEM #33A) & ONE KEY, ONE WAY PULL. SPECIFY: #C2B, C4B, C6B, C8B, or C10B.....	1272
	49-100-13C	CHICAGO LOCK SPECIFY LOCK NUMBER.....	1273
33A	49100-14	LIFT ROD ONLY FOR LOCK TO OPEN PAPER DOOR. SPECIFY NATIONAL OR CHICAGO CAM.....	1274
34	100-6	TOTALIZER BROADSHEET DOOR ONLY (Specify if for 50 WEB) (unfinished).....	1275
		(powder coated).....	1276
35	100-7	TOTALIZER TABLOID DOOR ONLY (unfinished).....	1277
		(powder coated).....	1278
	D1	PULL DECAL - Black on White.....	1279
36	T847	DOOR HOOK.....	1280
	B11	10-24 x 1/2" CARRIAGE BOLT (plated).....	1281
	B11-S	For installing door hook. (stainless).....	1282
	N8N	10-24 NYLON INSERT NUT (plated).....	1283

FREE STYLE

40	100-8	PANEL ONLY (unfinished).....	1284
		(powder coated).....	1285
41	100-9	BROADSHEET DOOR ONLY (unfinished).....	1286
		(Specify if for 50 WEB) (powder coated).....	1287
42	100-10	TABLOID DOOR ONLY (unfinished).....	1288
		(powder coated).....	1289

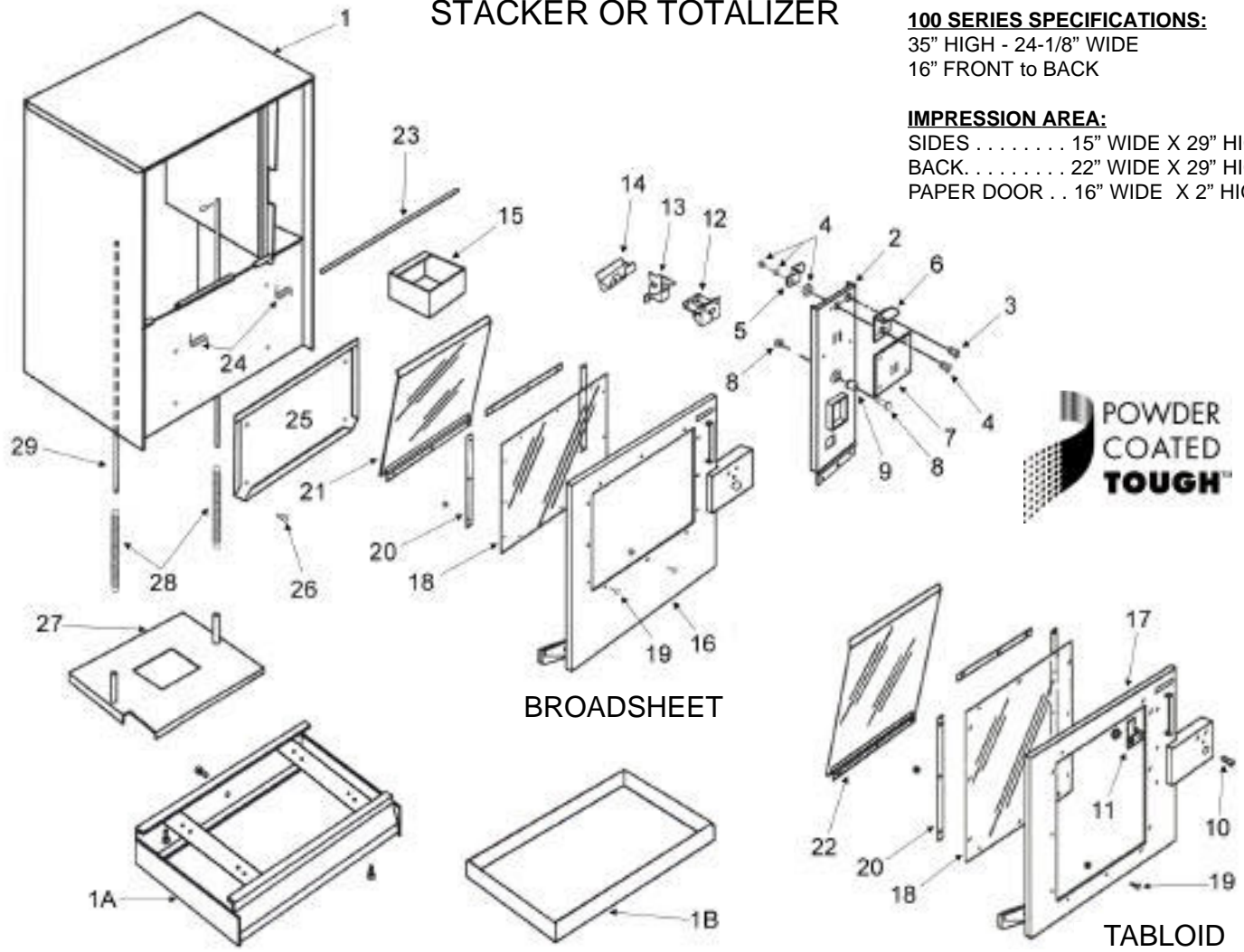
STACKER OR TOTALIZER

100 SERIES SPECIFICATIONS:

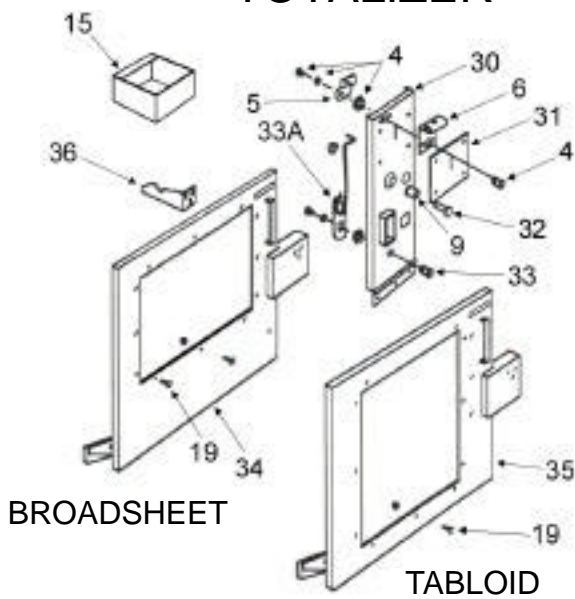
35" HIGH - 24-1/8" WIDE
 16" FRONT to BACK

IMPRESSION AREA:

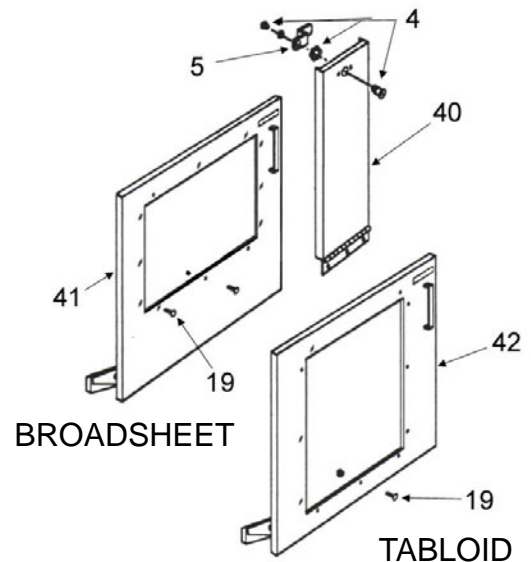
SIDES 15" WIDE X 29" HIGH
 BACK 22" WIDE X 29" HIGH
 PAPER DOOR . . 16" WIDE X 2" HIGH



TOTALIZER

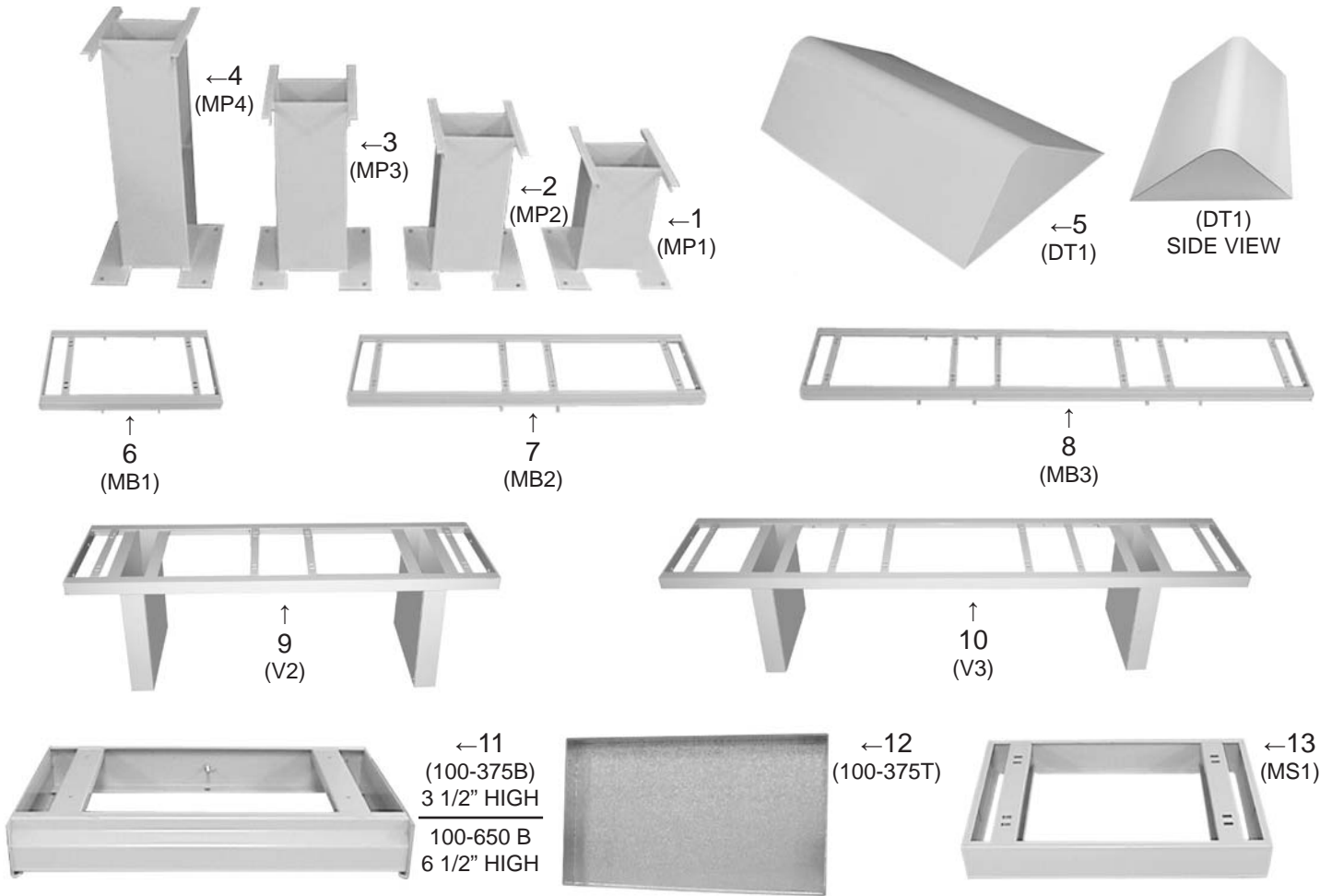


FREE STYLE





MODULAR PEDESTALS, TRAYS, & SPACER

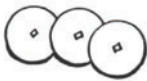
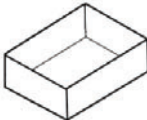

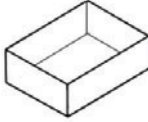
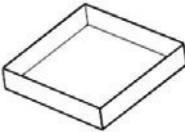
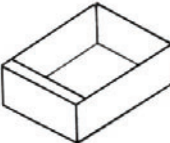
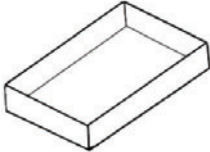
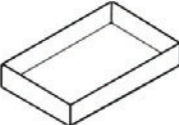


ILLUS. NO.	PART NO.	DESCRIPTION	CODE
1	MP1	PEDESTAL - 15 1/4" HIGH	1401
2	MP2	PEDESTAL - 19" HIGH	1402
3	MP3	PEDESTAL - 23" HIGH	1403
4	MP4	PEDESTAL - 30" HIGH	1404
5	DT1	DOME TOP (6-3/4" H x 16"D x 24"W).....	1405
6	MB1	TRAY 24 1/4" LONG	1406
7	MB2	TRAY 48 1/2" LONG	1407
8	MB3	TRAY 72 3/4" LONG	1408
9	V2	VEGAS BASE UNIT 48 1/2" LONG	1409
10	V3	VEGAS BASE UNIT 72 3/4" LONG	1410
11	100-375B	CABINET BASE (3-3/4" High).....	1411
	100-650B	BASE (6 1/2" High).....	1412
12	100-375T	CONCRETE WEIGHT TRAY	1413
		(13-3/8" x 22-1/2" x 2-1/8")	
13	MS1	SPACER 3-3/4" High.....	1414

NOTES
1. MB1, MB2, or MB3 tray required to mount 49 or 100 series racks to pedestal.
2. Use MS-1 spacer to make two MER (or Kaspar®) 49 racks the same height as a Kaspar® 100 rack. Spacer not required when mounting two MER (or Kaspar®) 49 racks beside a MER 100 rack.
3. 100-375B base used for ground mount only for 100 series racks (not for use on pedestal or tray).
4. 1/4" x 3/4" Hex Bolt for mounting Dome Top (4 Bolts required)

NUTS & BOLTS FOR MOUNTING TRAYS, PEDESTALS & BASE			
PART NO.	DESCRIPTION	CODE	
B-13-1	1/4" x 3/4" HEX BOLT	1415	Mounts trays, spacer, and base to racks.
N-12K	1/4" KEP NUT	1416	
B-30	1/4" X 1 1/2" ROUND HEAD BOLT	1417	Holds weight tray in 100 cabinet base.
B-60	5/16" x 3/4" HEX BOLT	1418	Secures trays to pedestal
N-60H	5/16" HEX NUT	1419	

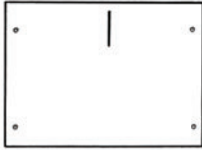
MISCELLANEOUS PARTS

	<u>QUARTER TOKENS</u>	<u>CODE</u>		<u>COIN TRAY</u> PART #K4916-2 K-49-16-2, K-100-2 & K-77FD-2 3-3/8" x 4-1/2" x 1-1/2"	<u>CODE</u>
	1 - 99 LBS - 100 LBS UP -	1601 1602			1606
	<u>DIME RELEASE</u> <u>SPRING</u>	1603		<u>COIN TRAY</u> PART #K99-2 K-99-2 & K-410-2 4-1/8" x 4-3/8" x 1-1/4"	1607
	<u>COIN TRAY</u> PART #SR-512 K-80, K-33C, S-80 & K-500 RACKS 5-1/8" x 5-1/8" x 7/8"	1604		<u>COIN TRAY</u> PART #49-16-R1 TK-49-162-R1 TK-100-2-R1 MER 49/100 (both K & TK) 5" x 5-1/4" x 2-1/2"	1608
	<u>COIN TRAY</u> PART #SR-712 TK-HOUSING 4-5/8" x 7-3/8" x 1-7/16"	1605		<u>COIN TRAY</u> SOUTHERN & LECO 4-1/2" x 5-1/2" x 3/4"	1609

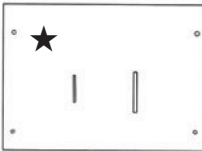
<u>ITEM</u>	<u>DESCRIPTION</u>	<u>PART NO.</u>	<u>CODE</u>
PLASTIC PLUG	FOR 1" CHAIN HOLE	PP1.....	1610
	FOR 1-1/8" CHAIN HOLE	PP118.....	1611
TOOLS	DOOR SPRING TOOL		1612
	PUNCH TO INSTALL MECH PANEL BRASS BUSHING	SR 200-20P.....	1613
BASE MOUNTING BRACKET	MER BASE MOUNTING BRACKET - 2 REQUIRED - GALVANIZED		1614
	POWDER COATED		1615
	KWW BASE MOUNTING BRACKET - 2 REQUIRED - GALVANIZED		1616
	POWDER COATED		1617
DOOR CARDHOLDER	3" x 15" PAPER DOOR - SIDE LOADING CARDHOLDER		1618
SOUTHERN ARMORED BOLT	3/4" x 10" - POWDER COATED.....		1619

NEWSPAPER RACK PLASTIC FACEPLATES

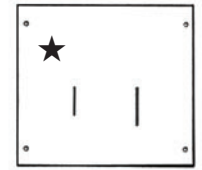
49 / 100 STYLE RACKS



TK 49/100
Bellatrix ST201-ST211
USA Today ECM 92T
GEO ECM 49/100
3-13/16" x 5-3/8"
1701

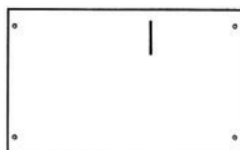


MER 49/100 Stacker
Bellatrix ST110
USA Today ECM 9200
3-13/16" x 5-3/8"
1702



K 49/77/100
Berkley Small Stacker
EB Totalizer
Bellatrix ST 110
USA Today ECM 9200
4" x 4-1/2"
1703

80 STYLE RACKS



TK 80 Housing
Bellatrix ST201-ST211
USA Today ECM 92T
GEO ECM 80
4" x 6-3/4"
1704

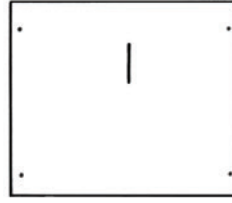


80 Stacker Housing
MER Classic-EB-Berkley Small
Bellatrix ST110 - EB Totalizer
USA Today ECM 9200
4" x 6-3/4"
1705

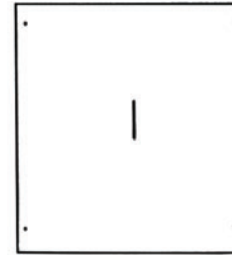
**PRICE INCLUDES TWO
COLORS WITH
BACKGROUND**

**EACH ADDITIONAL
IMPRINT 1706**
(FOR COLOR, PIECED ART, ETC.)

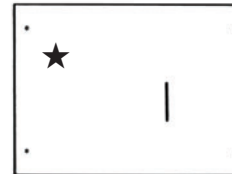
KASPAR® WEST RACKS



TK -West (New Style)
5-3/8" x 4-9/16"
1707



TK - West
5-3/8" x 5-7/8"
1708



K-WEST
4" x 5-1/2"
1709

K-JACK RACKS

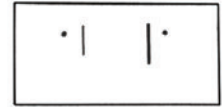


K-JACK 2" x 4-3/8"
1710



K-JACK 2" x 4-3/8"
ELECTRONIC
1711

MISCELLANEOUS



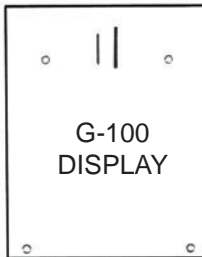
K 99/410
2-7/16" x 5"
1712



NEWS EQUIPMENT
2" x 4-3/8"
1713

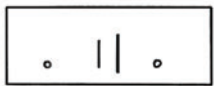
**CUSTOM
FACEPLATES
NOT
RETURNABLE**

SOUTHERN RACKS



G-100
DISPLAY

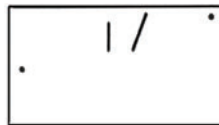
SOUTHERN 5" x 6"
1714



SOUTHERN BUBBLE
1-7/8" x 5"
1715



SOUTHERN KOPY-KAT
1-3/4" x 5"
1716

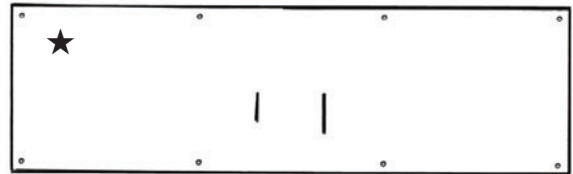


SOUTHERN KOPY-KAT
2-3/4" x 5"
1717

500 / 600 SERIES RACKS



TK 500/600 - Bellatrix ST 211 - USA Today ECM 92T
4" x 13-5/8"
1718



K 500/600 - Bellatrix ST 110 -EB Totalizer
USA Today ECM 9200
4" x 13-5/8"
1719

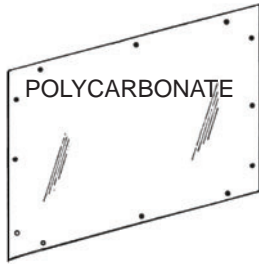
★ SPECIFY: 5 QUARTER, 6 QUARTER OR 5 - 6 QUARTER ELONGATED SLOT

SILK SCREEN FOR CUSTOMIZED FACEPLATE (CUSTOMER FURNISHED ARTWORK) 1720

**PRICE INCLUDES TWO COLORS
WITH BACKGROUND**
EACH ADDITIONAL IMPRINT 1706
(FOR COLOR, PIECED ART, ETC.)

**NUTS & BOLTS
FOR
FACEPLATES**

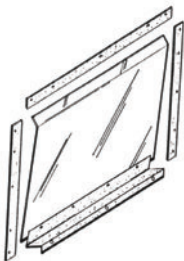
PART#	DESCRIPTION	CODE
B1	5-40 x 3/8" BOLT (plated).....	1721
B1A-S	5-40 x 3/8" BOLT (stainless)	1722
N1H	5-40 HEX NUT	1723
B12	10-32 x 1/2" TRUSS HEAD BOLT.....	1724
N10H	10-32 HEX NUT	1725



DOOR & CABINET PLASTIC

MER, BERKLEY-SMALL & KASPAR® RACKS

	CODE
.080 x 11-7/8" x 14-5/8" DOOR PLASTIC.....	1801
.093 x 11-7/8" x 14-5/8" DOOR PLASTIC.....	1802
.080 x 11-7/8" x 13-5/8" KASPAR 50 WEB DOOR PLASTIC.....	1803
22 GA. x 11-7/8" x 14-5/8" DOOR METAL - WITH HOLES.....	1804
22 GA. x 11-7/8" x 14-5/8" DOOR METAL - WITHOUT HOLES.....	1805
DOOR MOLDING STRIP (KASPAR® KP-1).....	1806
.060 x 14-3/4" x 22-1/2" KASPAR® FULL LENGTH DOOR.....	1807
.080 x 14-3/4" x 22-1/2" KASPAR® FULL LENGTH DOOR.....	1808
.060 x 14-5/8" x 24" S-FULL LENGTH DOOR.....	1809
.080 x 14-5/8" x 24" S-FULL LENGTH DOOR.....	1810
.060 x 10-3/4" x 14-5/8" SIDE.....	1811
.080 x 10-3/4" x 14-5/8" SIDE.....	1812
.060 x 3-5/16" x 10-1/8" 80 RECOVERY.....	1813
.060 x 6-1/2" x 6-1/2" 80 ROUND RECOVERY.....	1814
.060 x 2" x 7-1/2" 500 RECOVERY.....	1815
.060 x 11-3/4" x 14-3/8" 33-80 DOUBLE WIDE DOOR.....	1816
.080 x 11-3/4" x 14-3/8" 33-80 DOUBLE WIDE DOOR.....	1817
.060 x 11-7/8" x 13-11/16" MULTI-UNIT DOOR PLASTIC w/ 12 HOLES - TABLOID.....	1818
.080 x 11-7/8" x 13-11/16" MULTI-UNIT DOOR PLASTIC w/ 12 HOLES - TABLOID.....	1819
.080 x 11-15/16" x 17-3/8" 80 RACK CARD DISPLAY AREA.....	1820
.060 x 13-7/8" x 16-1/4" K-22 DOOR.....	1821
.060 x 14-3/4" x 20-1/4" K-22 SIDE.....	1822
.060 x 18-1/16" x 20 1/4" K-22 BACK.....	1823
CLIPS FOR INSTALLING K-22 PLASTIC.....	1824
.093 x 18-1/2" x 14-1/4" 84 FRONT PLASTIC.....	1825
.060 x 14-5/8" x 26-7/16" K-99.....	1826
.060 x 15-3/8" x 34-1/4" K-410.....	1827
.060 x 11-3/8" x 18-3/8" K-WEST OLD STYLE DOOR.....	1828
.080 x 11-3/8" x 18-3/8" K-WEST OLD STYLE DOOR.....	1829
.060 x 12-9/16" x 18-3/4" K-WEST BACK.....	1830
.060 x 11" x 17" CARDHOLDER PLASTIC.....	1831
.093 x 11-9/16" x 15-7/8" F16 HONOR BOX PLASTIC W/3 HOLES.....	1832
.220 x 15-11/16" x 23-7/16" 49 DW DOOR PLASTIC.....	1833



PLASTIC TENSION PAPER HOLDER

FITS ALL MER, BERKLEY-SMALL & KASPAR® STANDARD DOORS

SPECIFY IF FOR SOUTHERN DOOR

3/4" BROADSHEET PAPER HOLDER.....	1834
1-1/2" BROADSHEET PAPER HOLDER.....	1835
1-1/2" METRO BROADSHEET PAPER HOLDER (for Sunday paper with insert).....	1836
1-1/2" 80 KASPAR® FULL LENGTH PAPER HOLDER.....	1837
DOOR MOLDING STRIP (KASPAR® KP-1).....	1838
3/4" TABLOID PAPER HOLDER.....	1839
1-1/2" TABLOID PAPER HOLDER.....	1840
.080 PLASTIC ONLY FOR PAPER HOLDER. SPECIFY BROADSHEET OR TABLOID.....	1841

PLASTIC & PAPER HOLDER FOR K-JACK RACK

	<u>CODE</u>
.060 x 15-3/8" x 34-1/4" 97 BUBBLE	1901
.080 x 15-3/8" x 34-1/4" 97 BUBBLE	1902
.060 x 11" x 19-3/8" 100 DOOR	1903
.080 x 11" x 19-3/8" 100 DOOR	1904
.093 x 11" x 19-3/8" 100 DOOR	1905
.060 x 15-1/4" x 13-1/4" x 10-1/8" 100 SIDE	1906
.060 x 13-1/4" x 19-3/4" 100 BACK	1907
.080 x 13-1/4" x 19-3/4" 100 BACK	1908
.093 x 13-1/4" x 19-3/4" 100 BACK	1909
.060 x 17-11/16" x 25-1/16" 200-300 DOOR	1910
.080 x 17-11/16" x 25-1/16" 200-300 DOOR	1911
.093 x 17-11/16" x 25-1/16" 200-300 DOOR	1912
.060 x 13-1/4" x 15-1/4" 200-300 SIDE (6 HOLES / 1 NOTCH)	1913
.060 x 13-15/16" x 17-5/8" 400 DOOR	1914
.060 x 12-1/8" x 16-3/16" 50-800-900 DOOR	1915
.080 x 12-1/8" x 16-3/16" 50-800-900 DOOR	1916
.093 x 12-1/8" x 16-3/16" 50-800-900 DOOR	1917
.060 x 13-15/16" x 15-1/8" MODEL 50 SIDE PLASTIC	1918
.080 x 13-15/16" x 15-1/8" MODEL 50 SIDE PLASTIC	1919
.060 x 13-1/8" x 18" TABLOID DOOR	1920
3/4" MODEL 100 PLASTIC PAPER HOLDER	1921
1-1/2" MODEL 100 PLASTIC PAPER HOLDER	1922
.080 x 15" x 19-3/8" 100 TABLOID DOOR	1923
KJ 590 MOLDING WASHER (9/16" x 2-1/2" w/ HOLE)	1924

PLASTIC & PAPER HOLDER FOR EB RACK

.080 x 13" x 15-1/4" DOOR WITH LIP	1925
.080 x 16" x 12-5/16" TABLOID DOOR WITH LIP	1926
.093 x 15-1/8" x 18-7/8" EB 81 BOTTOM FRONT	1927
.080 x 15-3/16" x 25-1/8" FULL LENGTH DOOR WITH LIP	1928
.093 x 15-3/16" x 25-1/8" FULL LENGTH DOOR WITH LIP	1929
EB 80 BROADSHEET PLASTIC PAPER HOLDER	1930
EB-80 TABLOID PLASTIC PAPER HOLDER	1931
.080 PLASTIC ONLY FOR PAPER HOLDER. SPECIFY BROADSHEET OR TABLOID	1932

PLASTIC & PAPER HOLDER FOR SOUTHERN RACKS

.060 x 12-5/8" x 14-5/8" G-100 DOOR	1933
G-100 DOOR MOLDING STRIP	1934
.060 x 3-1/8" x 8-11/16" G-100 RECOVERY	1935
.060 x 14-3/4" x 27-5/8" BUBBLE	1936
CLIPS FOR INSTALLING DISPLAY PLASTIC	1937
3/4" SOUTHERN G-100 PLASTIC PAPER HOLDER	1938
1-1/2" SOUTHERN G-100 PLASTIC PAPER HOLDER	1939
.060 x 2" x 8" COIN PROTECTION SHIELD FOR MECH	1940

PLASTIC FOR NATIONAL NEWS-VEND RACKS

.060 x 11-7/8" x 19" M10/M20 DOOR - 2 HOLES	1941
.080 x 11-7/8" x 19" M10/M20 DOOR - 2 HOLES	1942
.093 x 11-7/8" x 19" M10/M20 DOOR - 2 HOLES	1943
.060 x 12-5/8" x 15-13/16" M30/SF30 DOOR - 10 HOLES	1944
.080 x 12-5/8" x 15-13/16" M30/SF30 DOOR - 10 HOLES	1945

PLASTIC FOR NEWS EQUIPMENT RACKS

.060 x 12-1/2" x 16-1/4" DOOR - 8 HOLES	1946
.080 x 12-1/2" x 16-1/4" DOOR - 8 HOLES	1947

BOLTS & NUTS FOR PLASTIC / FACEPLATES

PART NO.	DESCRIPTION	CODE
B1	5-40 x 3/8" UNSLOTTED BOLTS (plated)	2049
B1AS	5-40 x 3/8" UNSLOTTED BOLTS (stainless)	2050
B1BS	5-40 x 1/2" UNSLOTTED BOLTS (stainless)	2051
N1H	5-40 HEX NUTS (plated)	2052
B12	10-32 x 1/2" TRUSS HEAD UNSLOTTED BOLT (plated).....	2053
N10H	10-32 HEX NUT (plated).....	2054
N10K	10-32 KEP NUT (plated)	2055
FW1	3/16" FLAT WASHER (plated)	2056

POLYCARBONATE PLASTIC SIGNS FOR WIRE RACKS

Standard: One or two color imprint on white background - Additional imprint ...**2000**... per color.
Includes 2 Hog Rings or 2 Plastic Ties per sign - Please specify.

<u>SIZE</u>	<u>25 UP</u>	<u>50 UP</u>	<u>100 UP</u>	<u>500 UP</u>
1-5/8" x 12"	2001	2013	2025	2037
3" x 6"	2002	2014	2026	2038
3" x 8"	2003	2015	2027	2039
3" x 8-1/2"	2004	2016	2028	2040
3" x 12"	2005	2017	2029	2041
4" x 12"	2006	2018	2030	2042
6" x 12"	2007	2019	2031	2043
8" x 12"	2008	2020	2032	2044
3" x 16"	2009	2021	2033	2045
4" x 16"	2010	2022	2034	2046
5" x 16"	2011	2023	2035	2047
6" x 16"	2012	2024	2036	2048

Plastic Signs with White Background - No Imprint - Deduct 30%
Plastic Signs without Background or Imprint - Deduct 50%
2057 each extra hole ADD Round Corners - per sign **2058**

Above sign sizes in metal with rounded corners, powder coated WHITE.
Includes nuts, bolts, & flat washer to mount NO IMPRINT.

2059 Per sign to above plastic sign price
2060 ^{PLUS} per color imprint.

MINIMUM ORDER (each setup)2061
DOES NOT INCLUDE SCREEN CHARGE

<u>HOG RINGS & TIES</u>	<u>CODE</u>	<u>SILK SCREENS</u>	<u>CODE</u>
Hog Ring Applicator.....	2062	Up to 11" Sign.....	2065
Hog Rings.....	2063	12" UP	2066
Plastic Ties	2064	16" UP	2067

ALL RETURNS SUBJECT TO 25% RESTOCKING FEE.
DO NOT RETURN MERCHANDISE WITHOUT OUR PERMISSION.

CUSTOM FACEPLATES NOT RETURNABLE.

MINIMUM ORDER CHARGE \$25.00

ALL PRICES ARE F.O.B. FACTORY

Prices subject to change without notice.

Prices in effect at time of shipment will apply.



Kaspar® is a registered trademark of Kaspar Wire Works, Inc. Mechanism Exchange & Repair, Inc. is not related or affiliated with Kaspar Wire Works, Inc.